

C-130/L-382 HF SHUNT ANTENNA MODIFICATION

ASB Avionics is pleased to announce the *HF Dorsal Shunt Antenna Modification Program* for the Hercules C-130/L-382 family of aircraft. Our HF dorsal shunt antenna program will take your existing HF system into the 21st century by replacing the existing long wire antenna with a dorsal mounted shunt antenna. The upgrade program includes the removal of the existing long wire antennas, the installation of a shunt antenna located in the dorsal fin, and the installation of new HF antenna couplers inside the pressure vessel below the dorsal fin.

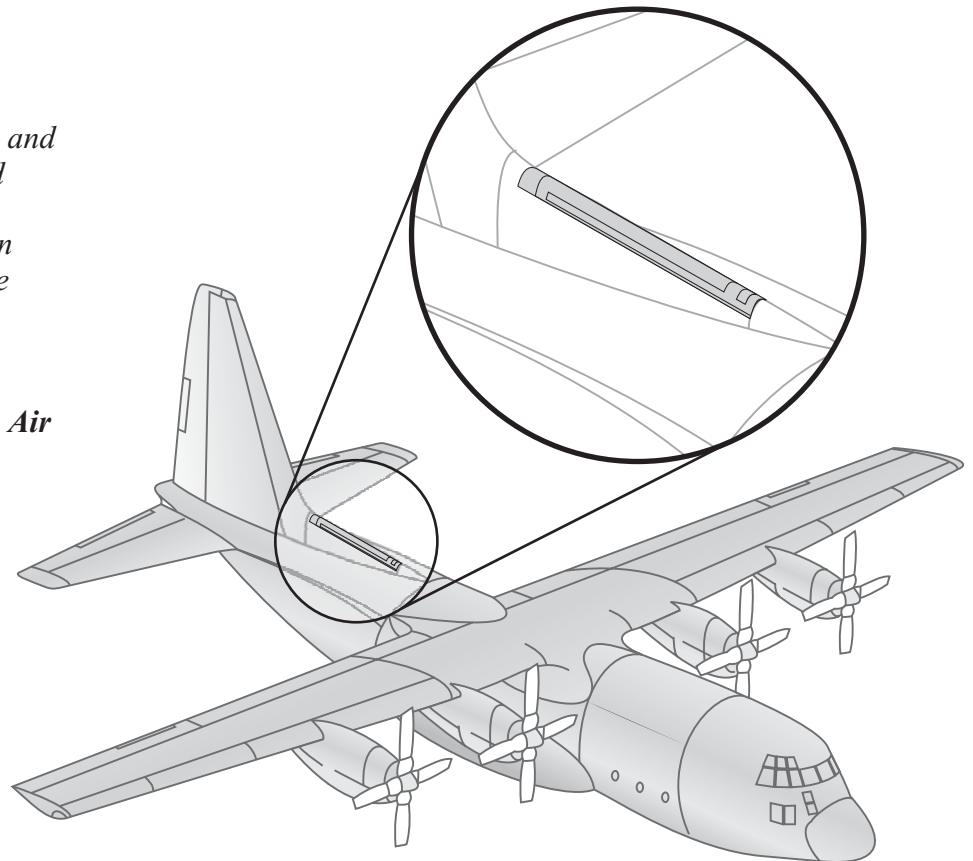
The shunt antenna program is a retrofit program that has been designed as to be installed without additional down time during a routine aircraft 'B' maintenance check. The design of the HF dorsal shunt antenna reduces aircraft drag which translates to better fuel economy.

ASB Avionics is integrating the antenna into the existing dorsal fin of the aircraft in a way that maintains the structural integrity of the fuselage.

ASB Avionics received its first L-382 for an HF shunt antenna installation in November of 2003. The first flight was conducted in the same month. The HF shunt antenna program STC was issued in December 2003. In addition to the STC program, ASB Avionics has an international patent pending on the HF dorsal shunt antenna design.

"Works great, excellent transmission and reception, no problems, flew day and night, went thru all the high and low frequencies, excellent communication every time. Other aircraft flying were complaining about bleed overs and range, but not with this antenna"

-Mike Redmon, Chief Pilot, Lynden Air Cargo Inc.



ASB Avionics LLC.

Duane McNutt
President

303 Donaldson Place, Hangar 3
Santa Barbara, California 93117
Phone: (805) 964-4334 Fax: (805) 964-4966
FAA Repair Station UMDR221L
Email: duane.mcnutt@asbavionics.com

Dwight Cassell
Avionics Manager

1032 Sabovich Street
Mojave, California 93501
Phone: (661) 824-1005 Fax: (661) 824-1006
FAA Repair Station UMDD221L
Email: dwight@asbavionics.com

Visit us on the web at www.asbavionics.com